

Evaluation of Subsystem Clock Oscillation Circuit

[M3455AGCFP-52P] LQFP(10x10) 0.65mm pitch

Measurement conditions :5.0V,3.0V

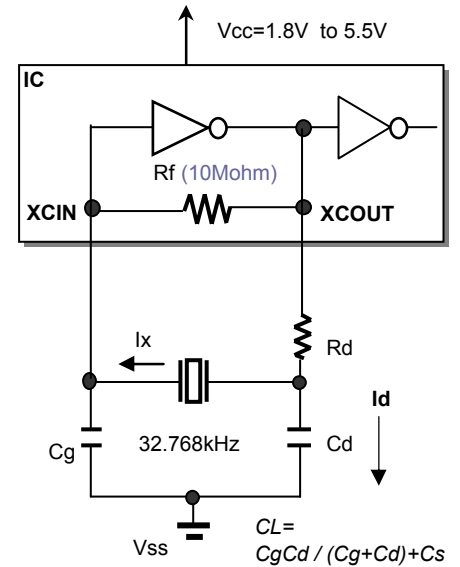
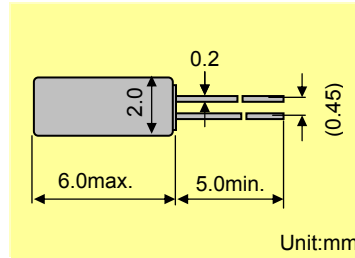


Model	:VT-200
Frequency	:Fo=32.768kHz
Frequency tolerance	:dF/Fo= +/-20x10 ⁶
Load capacitance	:CL=12.5pF
Equivalent series resistance	:R1=50kohm max
Max. drive level	:DL=1x10 ⁶ W max
Level of drive	:DL=0.1x10 ⁶ W typ

FEATURES

- 1.Compact tubular package
- 2.Photolithographic process
- 3.Excellent shock resistance and environmental characteristics.
- 4.Real time clocks, Timers, Portable applications

DIMENSIONS(VT-200)



Remark) I_x : current through crystal

MODEL:VT-200 12.5pF with M3455AGCFP at 25°C

Key specifications	Vcc=3.0V	Vcc=5.0V	Remarks
Current control resistance : Rd (k ohm)	100	100	Control drive level & secure phase margin
Capacitance at gate : Cg (pF)	22	22	Optimal capacitance in response to CL
Capacitance at drain : Cd (pF)	22	22	(CL = Cd // Cg + stray capacitance)

Circuit characteristics (at 25°C)	Vcc=3.0V	Vcc=5.0V	Remarks
Matching Accuracy : df / f ($\times 10^{-6}$)	2.7	3.0	Frequency offset volume at specified Vcc
Voltage Fluctuation : $\pm df / V$ ($\times 10^{-6}$)	0.7	-0.2	Vcc +/-10% (Standard operating voltage range)
Drive Level : DL ($\times 10^{-6}$ W)	0.26	0.23	$DL = I_x^2 R_e < 1 \times 10^{-6}$ W, $R_e = R_1 (1 + C_o / C_L)^2$
Negative resistance : $ - R_L $ (kohm)	594	424	5 times larger than R_{1MAX}
Oscillation allowance : M (times)	11.9	8.5	Judgemental standard of oscillation stability
consumption current : Id (nA)	1,996	2,035	Cd charge current, $I_d = \omega C_d \cdot V_d$
Voltage of oscillation start : Vstrat (V)	1.12	1.12	
Voltage of oscillation stop : Vstop (V)	0.98	0.98	
Oscillation start up time : Ts (sec)	0.60	0.65	Time to reach 90% of output level

Temperature characteristics of circuit		Vcc=3.0V	Vcc=5.0V	Remarks
at -20°C	Variation : df / T ($\times 10^{-6}$)	-67	-67	Typ.Tp=25°C (K = $-3.5 \times 10^{-8} / ^\circ C^2$)
at +85°C	Variation : df / T ($\times 10^{-6}$)	-133	-134	Typ.Tp=25°C (K = $-3.5 \times 10^{-8} / ^\circ C^2$)

The above mentioned value is only for your reference. The value is for the arbitrary samples and does not guarantee the product's characteristics. Please review and check above parameters at customer's end.

Seiko Instruments USA Inc.

2990, West Lomita Blvd., Torrance, CA 90505, U.S.A
 Telephone : +1 310-517-7771 Facsimile : +1 310-517-7792
 Email : crystals@siu-la.com

Seiko Instruments GmbH

Siemensstrasse 9, D-63263 Neu-Isenburg, Germany
 Telephone : +49-6102-297-0 Facsimile : +49-6102-297-320
 Email : info@seiko-instruments.de

Seiko Instruments Inc.

1-8, Nakase, Mihama-ku, Chiba-shi, Chiba 261-8507, Japan
 Facsimile : +81-43-211-8030
 E-mail : component@sii.co.jp



We value the "takumi" spirit.

Seiko Instruments Inc.

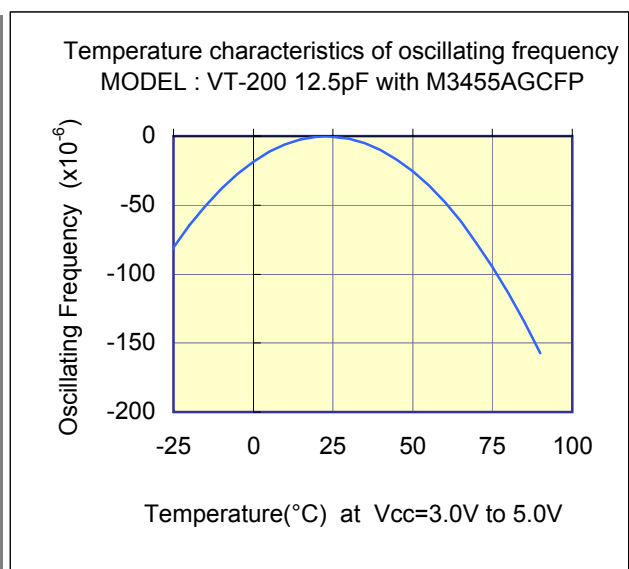
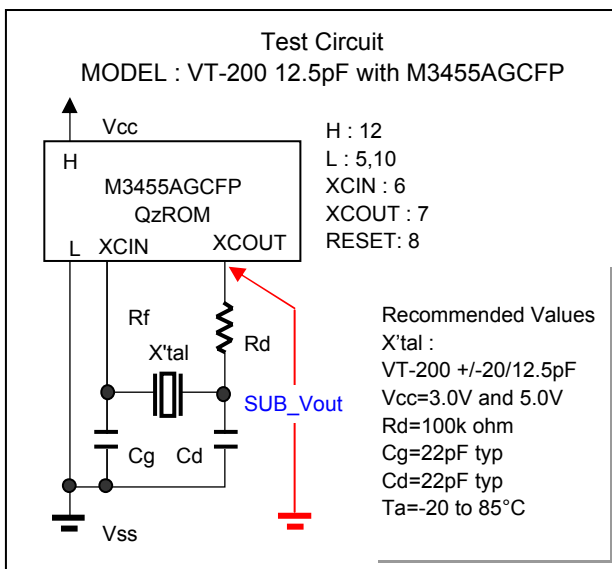
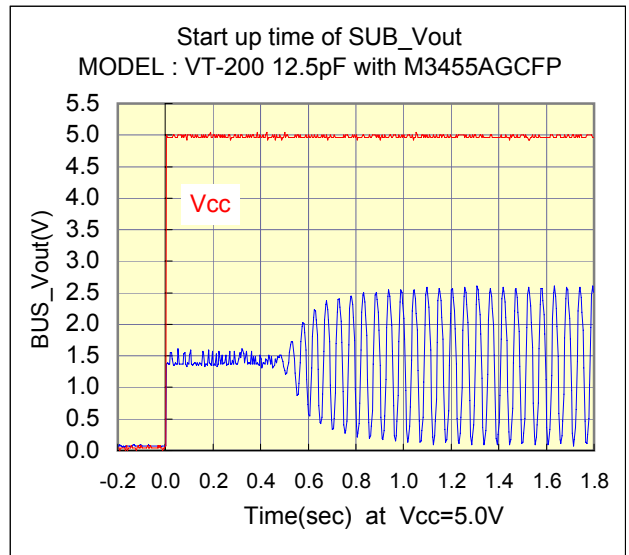
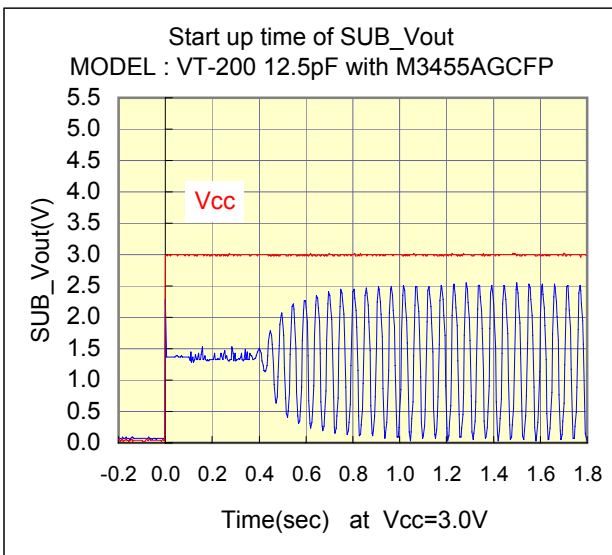
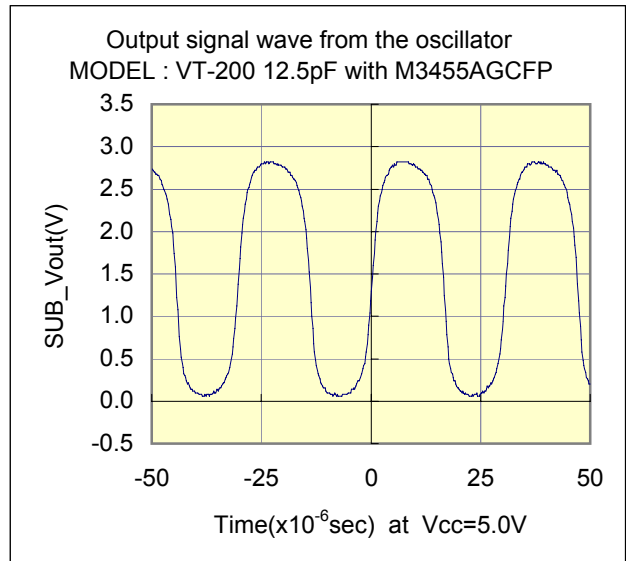
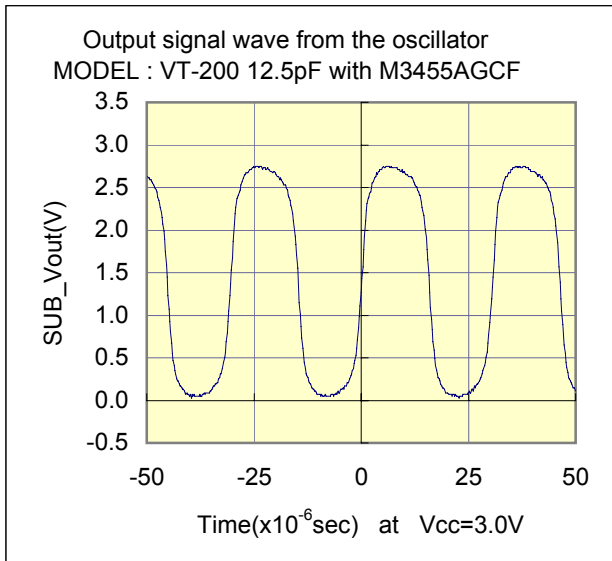
Phone: +81-43-211-1207(Direct)

Evaluation of Subsystem Clock Oscillation Circuit

[M3455AGCFP] LQFP(10x10) 0.65mm pitch
 Measurement conditions :5.0V,3.0V



Test Data at 25°C



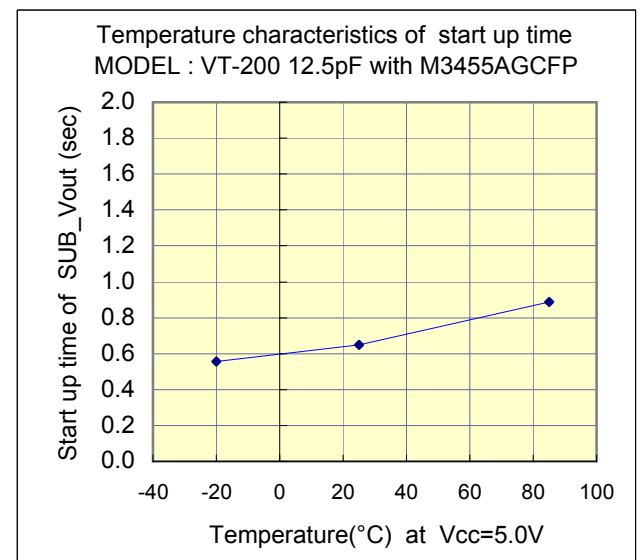
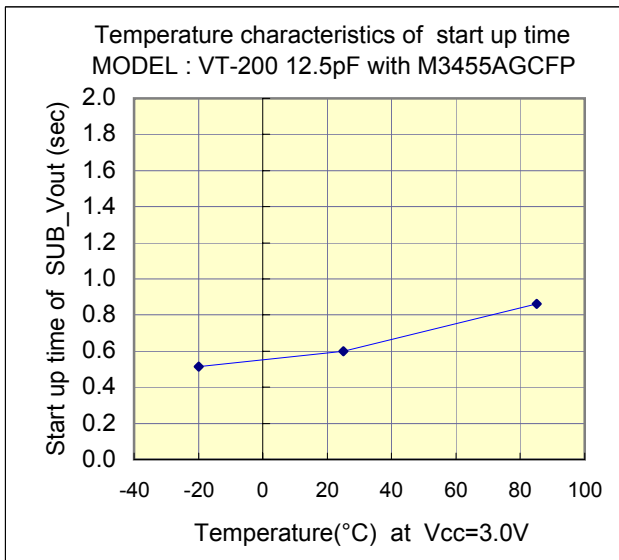
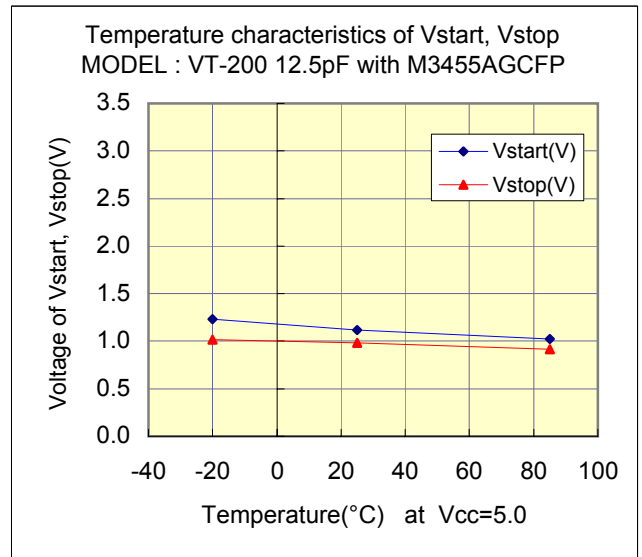
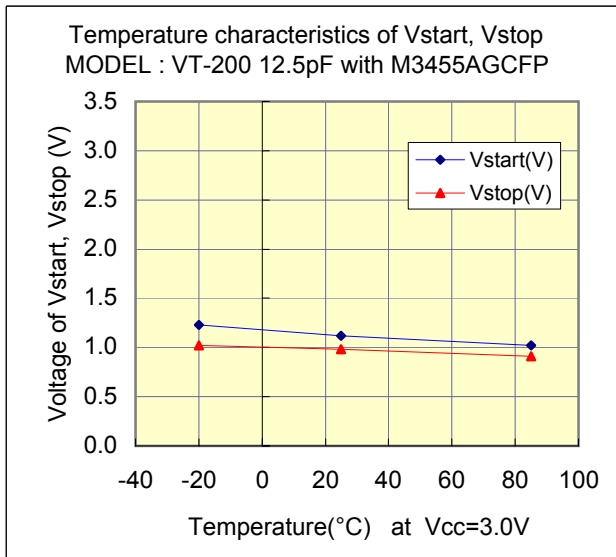
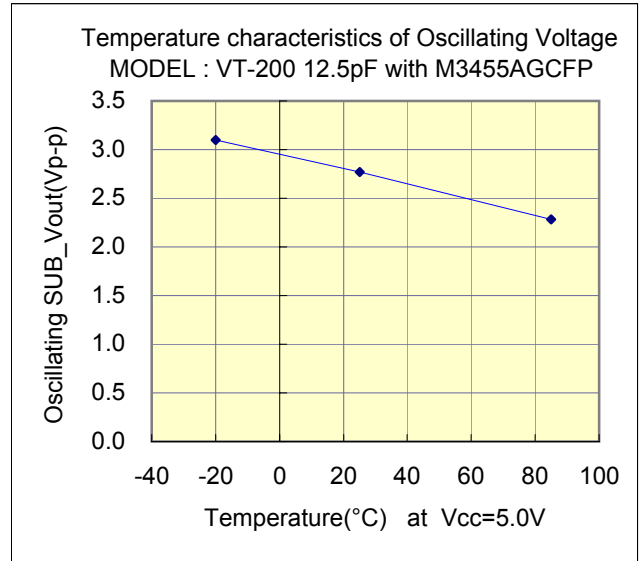
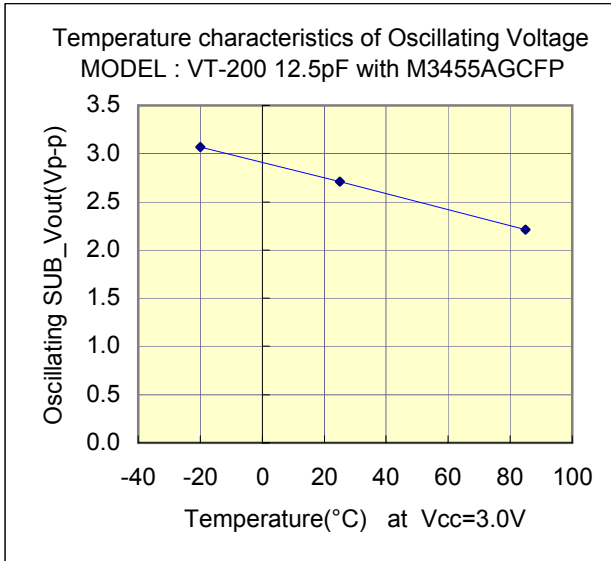
Evaluation of Subsystem Clock Oscillation Circuit

[M3455AGCFP-52P] LQFP(10x10) 0.65mm pitch

Measurement conditions :5.0V,3.0V



Test Data : Temperature characteristics



Evaluation of Subsystem Clock Oscillation Circuit

[M3455AGCFP] LQFP(10x10) 0.65mm pitch
 Measurement conditions :5.0V,3.0V



Referential components layout(see Figure 1)

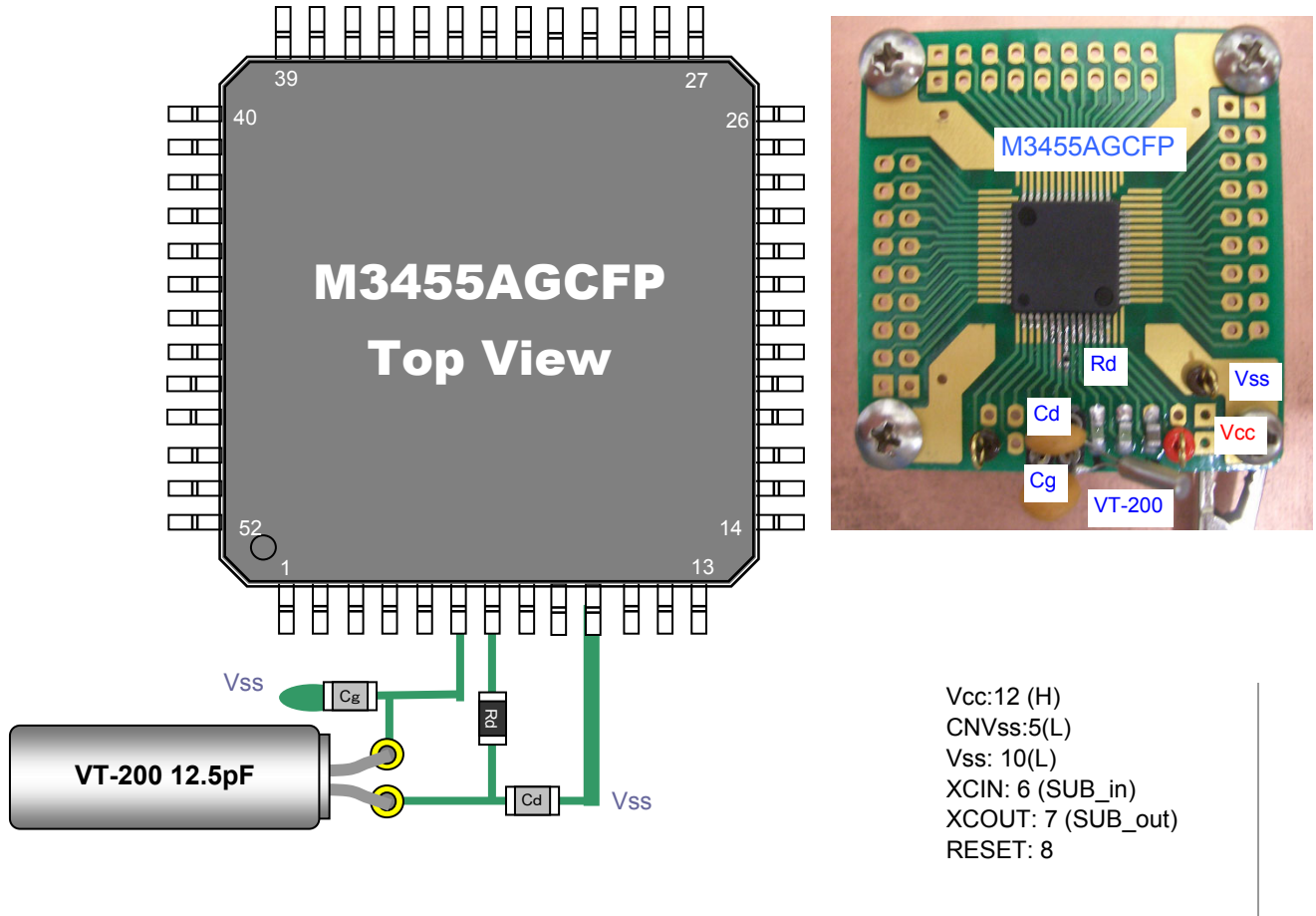


Figure 1 Referential components layout

Notes for Board Design

When using a crystal resonator, place the resonator and its load capacitors as close as possible to SUB_in and SUB_out pins.
 Other signal lines should be routed away from the resonator circuit to prevent induction from interfering with correct oscillation (see figure 2).

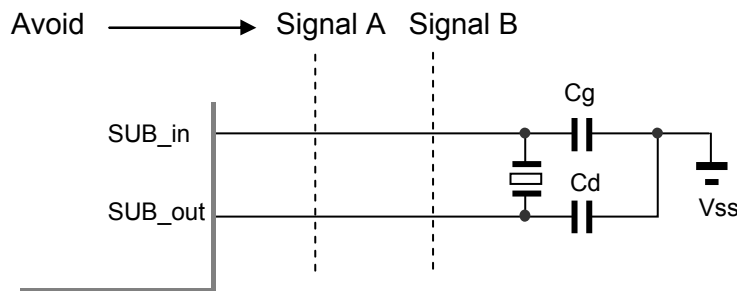


Figure 2 Example of Incorrect Board Design

Remark When using the subsystem clock, insert resistors Rd in series on the SUB_out side.

Evaluation of Subsystem Clock Oscillation Circuit

[M3455AGCFP-52P] LQFP(10x10) 0.65mm pitch

Measurement conditions :5.0V,3.0V



[Evaluation Sample : VT-200 12.5pF at 25°C]

SAMPLE	No.	CL (pF)	Fo(Hz)	fr(Hz)	R1(kohm)	Co(pF)	C1(fF)	Q(k)
VT-200 12.5pF	1	12.5	32768.11	32765.28	27.4	0.91	2.319	76.5
	2	12.5	32768.09	32765.24	26.9	0.89	2.333	77.4
	3	12.5	32768.34	32765.45	29.9	0.93	2.368	68.6

[IC Test Data : IC sample Rd=100k ohm,Cg=22pF,Cd=22pF at 25°C]

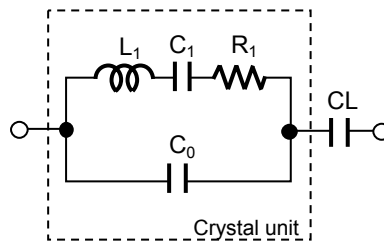
Vcc(V)	IC sample	Fosc(Hz)	df / f(x10 ⁻⁶)	DL(x10 ⁻⁶ W)	-RL (kohm	Vstart(V)	Ts(sec)
5.0	TYP	32768.437	2.99	0.23	424	1.12	0.65
	HH	32768.449	3.35	0.28	594	1.38	0.36
	LL	32768.403	1.95	0.17	364	0.90	0.67

[IC Test Data : IC sample Rd=100k ohm,Cg=22pF,Cd=22pF at 25°C]

Vcc(V)	IC sample	Fosc(Hz)	df / f(x10 ⁻⁶)	DL(x10 ⁻⁶ W)	-RL (kohm	Vstart(V)	Ts(sec)
3.0	TYP	32768.427	2.68	0.26	594	1.12	0.60
	HH	32768.362	0.70	0.31	1034	1.38	0.43
	LL	32768.437	2.99	0.17	464	0.90	0.60

Remark (see figure 3)

$$F_o = f_r \times \{ C_1 / (2 \times (C_o + C_L)) + 1 \} \text{ (Hz)}$$



Fo : Load resonance frequency
 fr : Resonance frequency
 R1 : Motional resistance
 C1 : Motional capacitance
 Co : Shunt capacitance
 CL : Load Capacitance

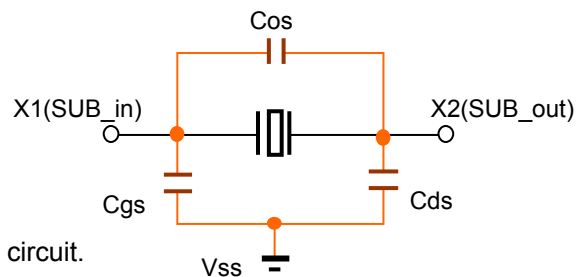
Figure 3 Equivalent circuit of crystal unit, and CL

Remark (see figure 4)

Approximate formula of the load capacitance of the circuit CL.

$$C_L = C_g \times C_d / (C_g + C_d) + C_s \text{ (pF)}$$

Where Cs(=2 to 4pF) Stands for stray capacitance of the circuit.



Cos : X1_X2 Stray capacitance
 Cgs : X1_Vss Stray capacitance
 Cds : X2_Vss Stray capacitance

Figure 4 Stray capacitance Cos,Cgs,Cds of the circuit

Resonator circuit constants will differ depending on the resonator element, stray capacitance in its interconnecting circuit, and other factors. Suitable constants should be determined in consultation with the resonator element manufacturer.

Evaluation of Subsystem Clock Oscillation Circuit

[M3455AGCFP] LQFP(10x10) 0.65mm pitch
 Measurement conditions : Vcc=(1.5V) to 5.5V at 25°C

Referential Data : Voltage characteristics

